



Hassett Industries Ltd
 Leaders in Infrared Heating Technology



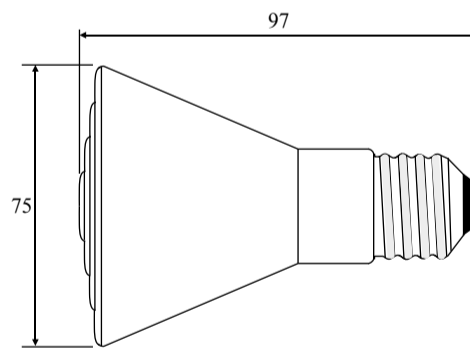
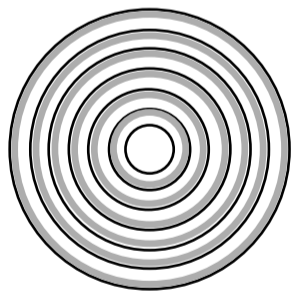
Long Wave Ceramic Element

SFL

- Iron-chrome aluminium resistance wire
- Heater Voltage: 230 Volts standard
- Useful wavelength range: 2-10 microns
- Temperature Range: 400 - 720 °C
- Average Operating Life: 5,000 - 10,000 hours
- The standardised E27 thread allows easy and safe installation



Available Wattages (W)	150	200
Average Weight (g)	165	165
Typical Operating Temp (C)	420	490



Available Wattages (W)	100
Average Weight (g)	116
Typical Operating Temp (C)	380

