



Hassett Industries Ltd
Leaders in Infrared Heating Technology



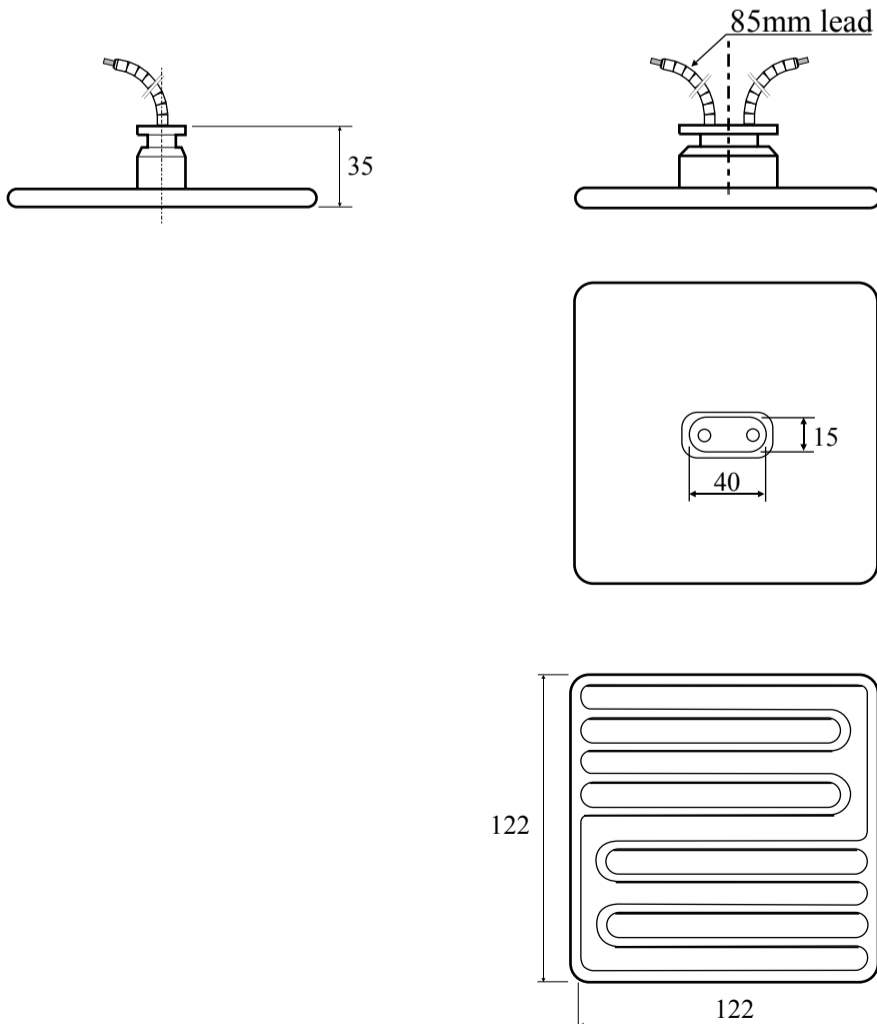
Long Wave Ceramic Element

SFE



- Iron-chrome aluminium resistance wire
- Heater Voltage: 230 Volts standard (other voltages available on request)
- Useful wavelength range: 2-10 microns
- Average Operating Life: 5,000 - 10,000 hours
- Temperature Range: 400 - 720 °C
- Recommended radiation distance from heater is 100 mm to 200 mm
- Supplied with 100mm ceramic beaded tails with stud ends.
- Average Weight: 250g
- Dimensions: 122 x 122 mm

Available Wattages (W) 150 200 250 300 350 400 500 650 750 1000



Hassett Industries Ltd., Stonehenge Road, Durrington, Salisbury, SP4 8BN
Tel:01980 654333 Fax:01980 654326 email: info@hassettindustries.com